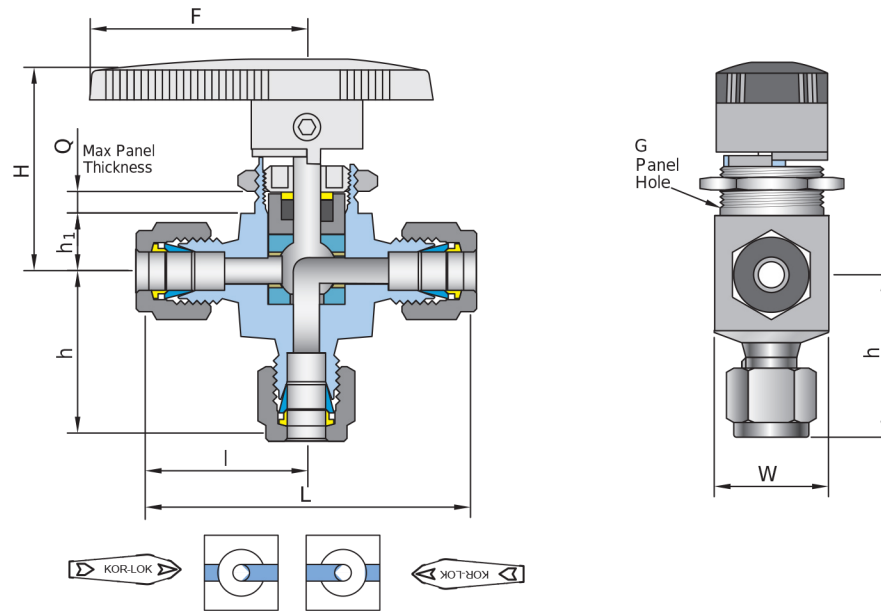


VB3X series (3 Way, Switching Kor-Lok Tube Fittings or Female Threads)



Ordering Information & Dimensions

Part No.	End Connection		Orifice	CV	Dimensions (mm)								
	Inlet	Outlet			L	l	h	h ₁	H	G	Q	W	F
VB3X1	U-04T-	1/4" Kor-Lok	4.8	0.90	59.8	29.9	29.9	10.6	39.6	19.8	4.8	19.8	40.0
	U-M06T-	6mm Kor-Lok		0.90	59.8	29.9	29.9						
	U-M08T-	8mm Kor-Lok		0.80	62.6	31.3	31.2						
	F-04N-	1/4" Female NPT		0.75	50.8	25.4	26.2						
VB3X2	U-06T-	3/8" Kor-Lok	7.1	2.00	73.2	36.6	35.8	14.5	52.8	28.0	9.0	28.6	51.0
	U-M10T-	10mm Kor-Lok		2.00	73.2	36.6	35.8						
	F-04N-	1/4" Female NPT		1.70	63.6	31.8	31.8						
	F-06N-	3/8" Female NPT		1.50	63.6	31.8	31.8						
VB3X3	U-08T-	1/2" Kor-Lok	10.3	4.60	88.0	44.0	44.0	17.5	61.9	38.1	9.4	38.1	76.2
	U-M12T-	12mm Kor-Lok		4.80	88.0	44.0	44.0						
	F-08N-	1/2" Female NPT		3.50	79.2	39.6	39.6						

Female ISO7/1 Tapered Threads (PT) are available for all fractional sizes of VB3XF series valves. Add "R" as a suffix instead of "N".

Dimensions are for reference only and are subject to change without prior notice.